

**Thermal Regulator Valve
(TRV)**

**These instructions are to be used with the
following Jandy Pro Series spare parts kits:**

R0589700	Thermal Regulator Valve
R0589500	Gasket, Seals, & Hardware

WARNING

FOR YOUR SAFETY: This product must be installed and serviced by a contractor who is licensed and qualified in pool equipment by the jurisdiction in which the product will be installed where such state or local requirements exist. In the event no such state or local requirement exists, the installer or maintainer must be a professional with sufficient experience in pool equipment installation and maintenance so that all of the instructions in this manual can be followed exactly. Before installing this product, read and follow all warning notices and instructions that accompany this product. Failure to follow warning notices and instructions may result in property damage, personal injury, or death. Improper installation and/or operation can create carbon monoxide gas and flue gases which can cause serious injury, property damage, or death. For indoor installations, as an additional measure of safety, Zodiac Pool Systems, Inc. strongly recommends installation of suitable carbon monoxide detectors in the vicinity of this appliance and in any adjacent occupied spaces. Improper installation and/or operation will void the warranty.

Do not store or use gasoline or other flammable vapors and liquids in the vicinity of this or any other appliance.

WHAT TO DO IF YOU SMELL GAS

- Immediately switch off main gas supply.
- Do not try to light any appliance.
- Do not touch any electrical switch; do not use any phone in your building.
- Immediately call your gas supplier from a neighbor's phone. Follow the gas supplier's instructions.
- If you cannot reach your gas supplier, call the fire department.

Installation and service must be performed by a qualified installer, service agency or the gas supplier.

Before starting the installation, check Table 1 to identify each of the parts required for this installation. If any parts are missing from the kit, please call your local distributor for assistance.

WARNING/SHOCK HAZARD

Turn off all switches and the main breaker in the pool/spa heater electrical circuit before starting the replacement procedure. Failure to comply may cause a shock or hazard resulting in severe personal injury or death.

While disconnecting and/or connecting any electrical wiring in the appliance, be careful not to damage or abrade any of the wiring.

Disassembly:

1. Verify you have all necessary parts (see Table 1 below).

KIT PART NO.	COMPONENT DESCRIPTION	QUANTITY
R0589700	Thermal Regulator Valve, 120°F	1
	Screw, hex head	1
R0589500	Screw, type 25	6
	Washer, flat 1/4	12
	Nut, hex head, steel	12
	Washer	1
	Gasket, header plate	1
	Seal, header side	1
	O-ring, 2-445	1
	Gasket, 3/4"	12

Table 1. Replacement Kit parts

2. Turn off the electrical power to the heater.
3. Turn off the main gas supply to the heater at the meter or the manual gas cock outside the heater.
4. Make sure the filter pump is off and will remain off for the duration of the installation procedure.
5. If the heater is below the surface level of the water in the pool or spa, close all shut-off valves between the heater and the pool.
6. Drain the heater by removing the drain plug on the inlet/outlet header, see Figure 1. Replace the drain plug when the heater is fully drained.

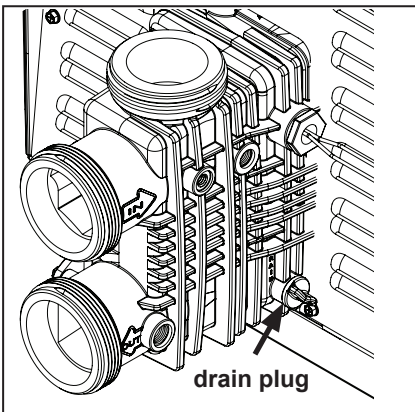


Figure 1. Remove Drain Plug

7. Remove six (6) screws from side access plate and access plate seal (see Figure 2).

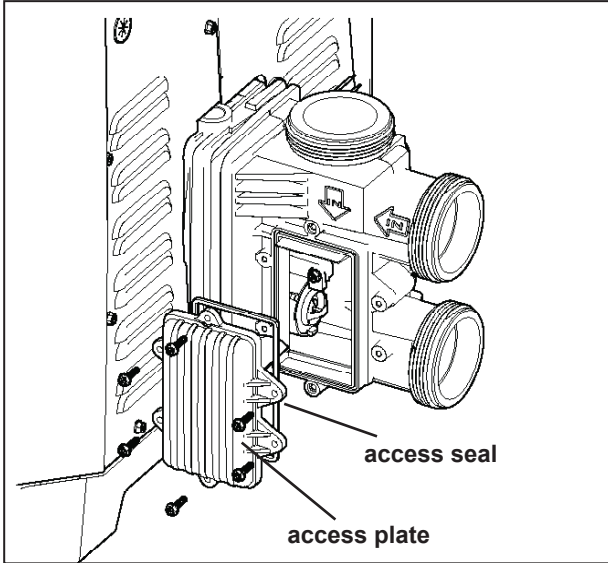


Figure 2. Remove Access Plate and Seal

8. Loosen the clamp screw approximately 4-5 turns and swing the clamp out of the way. Do not unscrew completely or remove the clamp (see Figure 3).

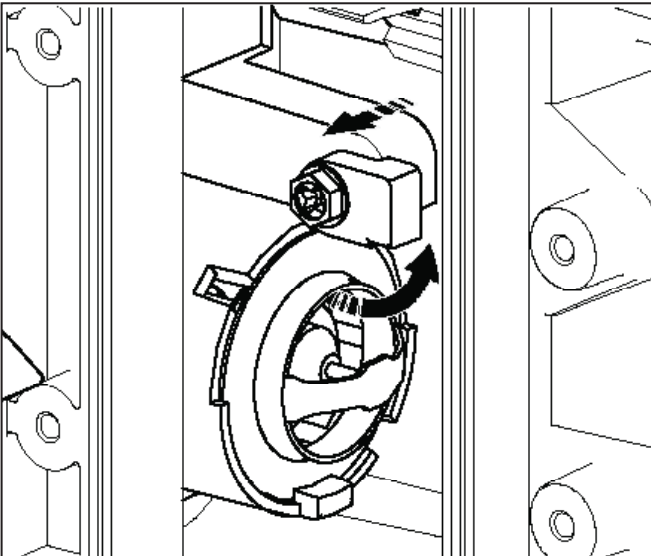


Figure 3. Loosen and Slide Clamp Aside

- Slide the thermal regulator valve (TRV) sideways out from under the locking tab and remove it (see Figure 4).

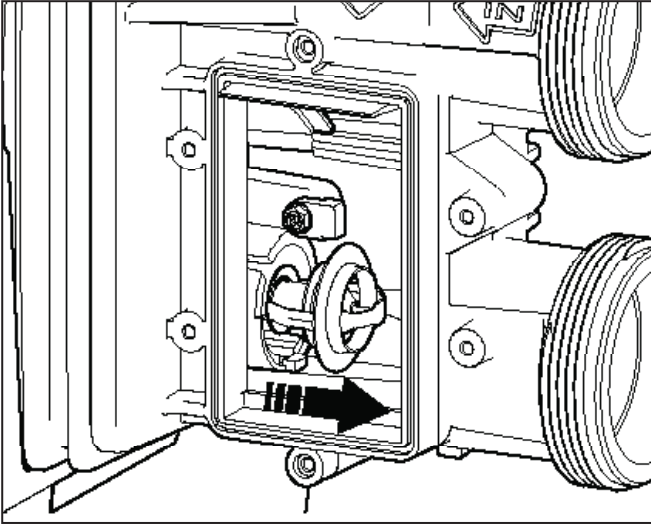


Figure 4. Remove TRV

NOTE: If you find debris after removing the TRV, remove the entire header assembly, then inspect the heat exchanger tubes and flush the header clean of all debris before reassembling.

Assembly:

- Replace the new TRV making sure that the flange is fully locked under the locking tab.
- Swing the clamp back into position and tighten the clamp screw.
- Inspect the seal and replace if necessary. Place seal into access plate and carefully position the access plate with the seal so that the seal is fully engaged into the header body.
- Replace six (6) screws.
- Reopen the shut-off valves, if applicable.
- Turn on the gas supply and electrical supply.

NOTES

NOTES

Zodiac Pool Systems, Inc.

2620 Commerce Way, Vista, CA 92081
1.800.822.7933 | www.ZodiacPoolSystems.com

Zodiac Pool Systems Canada, Inc.

2115 South Service Road West, Unit 3
Oakville, ON L6L 5W2 Canada
1.888.647.4004 | www.ZodiacPoolSystems.ca

ZODIAC® is a registered trademark of Zodiac International, S.A.S.U., used under license. All other trademarks referenced herein are the property of their respective owners.

©2014 Zodiac Pool Systems, Inc. H0439300 REV B